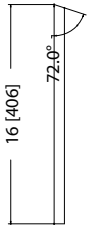
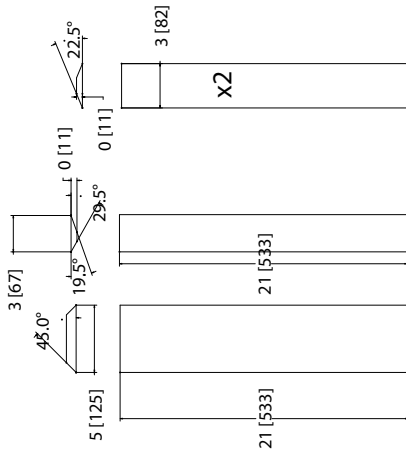


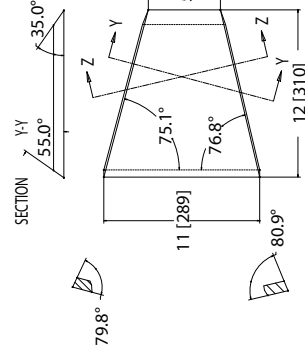
NOSE FLARE PANEL



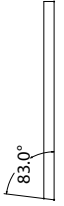
FLARE PANEL
SCALE 0.250



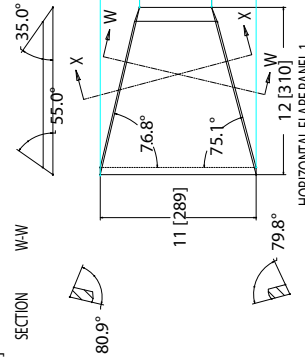
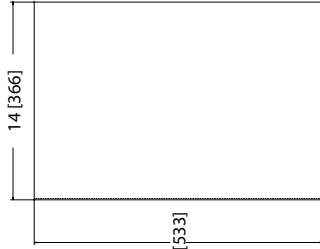
ALUMINUM PLATE



SECTION Z-Z
HORIZONTAL FLARE PANEL 2



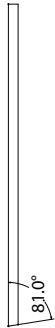
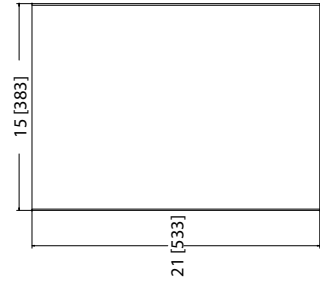
BOTTOM MODULE PANEL



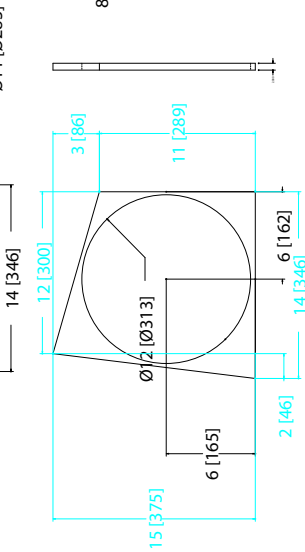
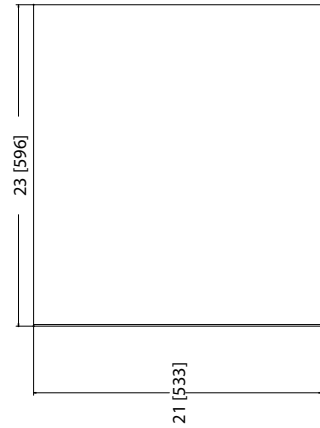
SECTION X-X
HORIZONTAL FLARE PANEL 1
SCALE 0.250



BACK MODULE PANEL



FRONT MODULE PANEL



SECTION X-X
HORIZONTAL FLARE PANEL 1
SCALE 0.250